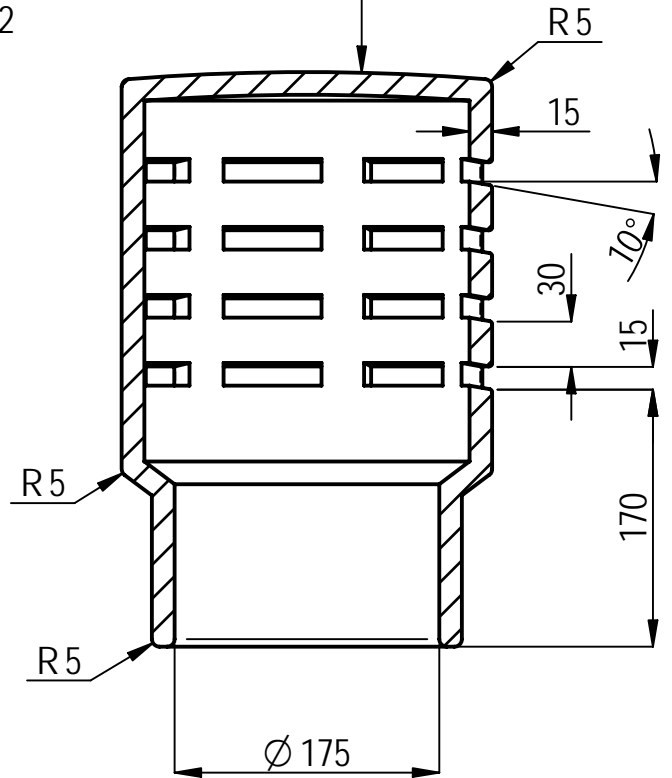
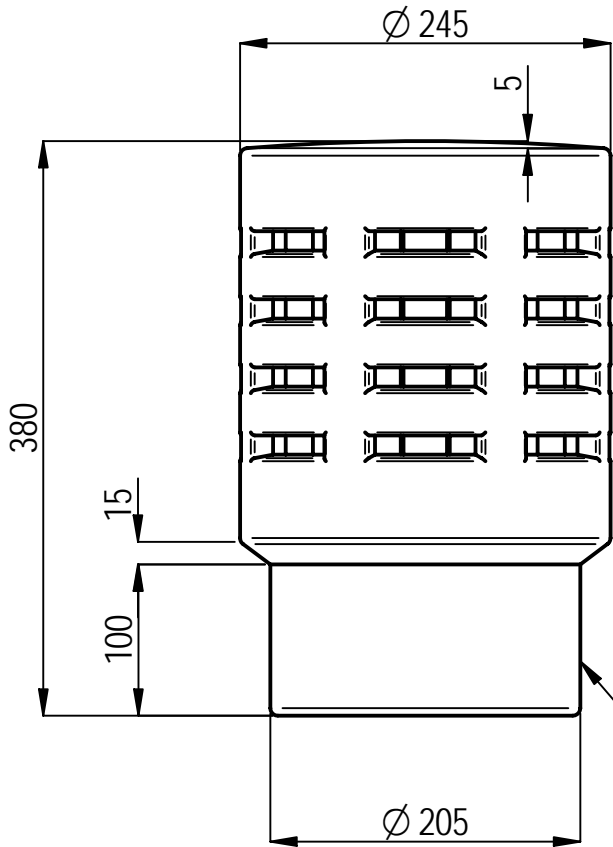
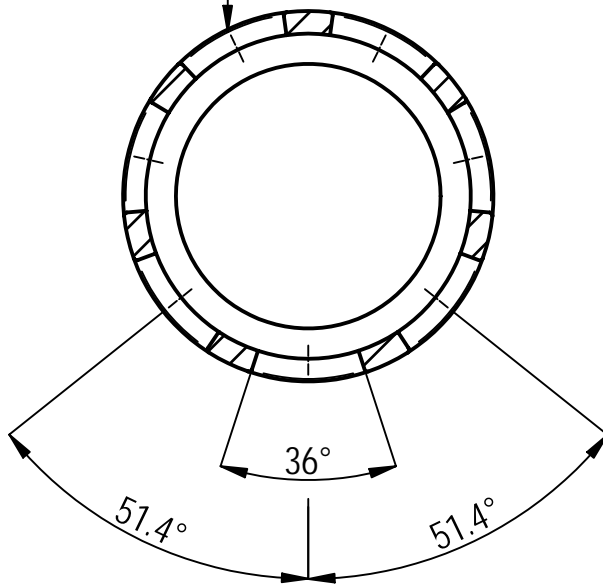


MARKINGS TO APPEAR ON THIS FACE AS FOLLOWS:  
EN13502  
TYPE 2



MARKINGS TO APPEAR ON SPIGOT AS FOLLOWS:  
205 OD  
175 ID  
380 HT  
WTK DATE (DDMMYY)

4 ROWS OF 7 - SLOTS  
EQUI-SPACED AS SHOWN



ISOMETRIC VIEW  
1:10

ALL MARKINGS TO BE IN 10 HIGH  
INDENTED CHARACTERS

GAS FLUE TERMINAL TESTED TO BS1289

TO SPECIFY COLOUR, ADD SUFFIX TO CODE  
R = RED, B = BUFF, X BLACK, G = GLAZED



THIS DRAWING IS THE PROPERTY OF WT KNOWLES & SONS LTD  
AND MUST NOT BE USED IN ANY WAY PREJUDICIAL TO THEIR INTERESTS

± 10% TOLERANCE TO BE APPLIED ON ALL DIMENSIONS

WEIGHT = 10.55 Kg

DRAWN: GB 23-09-07

SCALE

PROJECTION

DO NOT SCALE

ISSUE: 7 09-09-08

1:5



TITLE :-

GAS TERMINAL

DRAWING No. :-

KNO205

A4